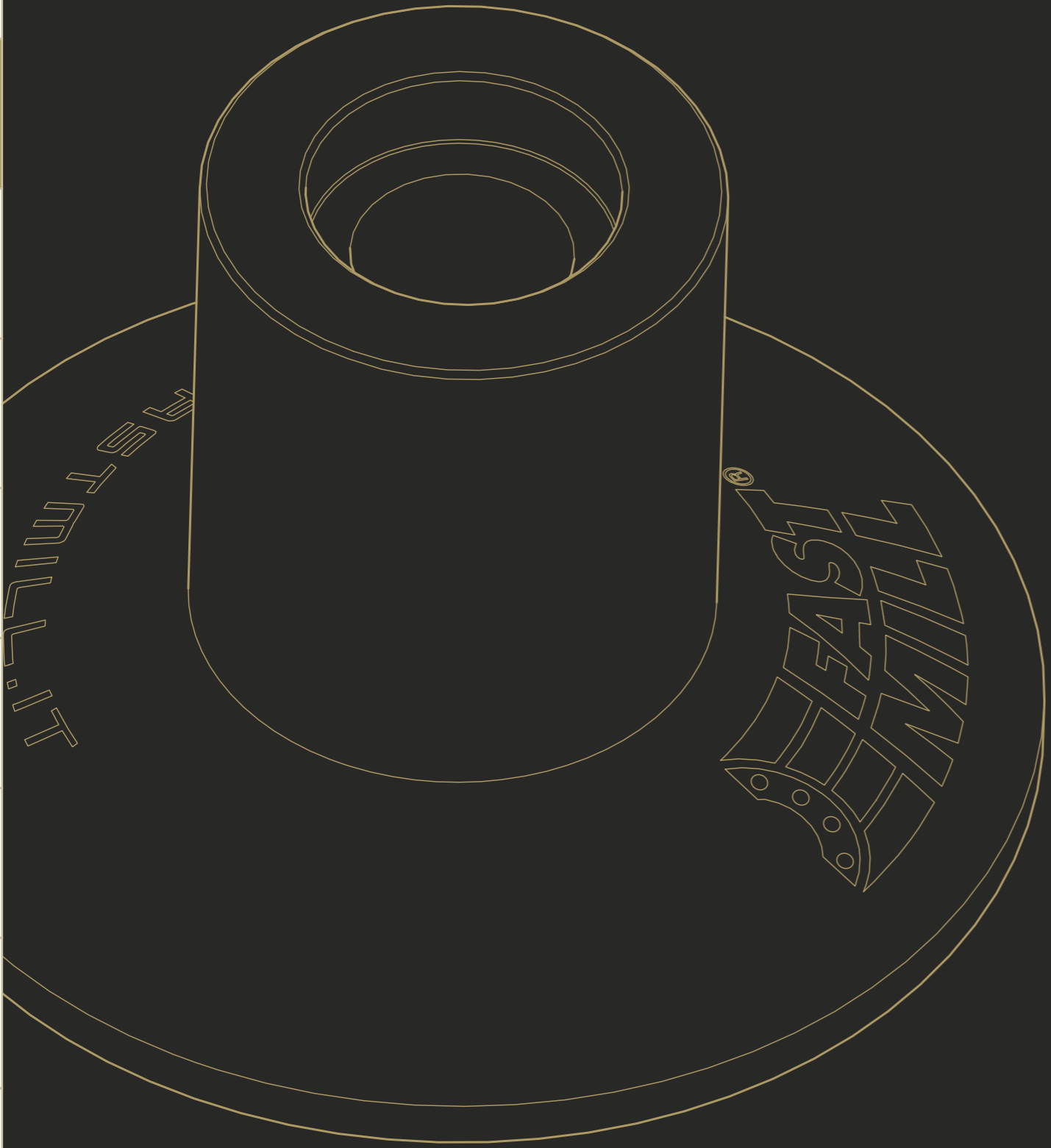


CLAMPS	FASTMILL ZERO	MINI RANGE	VERTICAL CLAMPING	MAGNETIC	THIRD POINT	RISERS	SPACERS	MODULES AND PINS D49	MODULES AND PINS D90	PLATES AND BUSHES
--------	---------------	------------	-------------------	----------	-------------	--------	---------	----------------------	----------------------	-------------------



SPACERS

CLAMPS	FASTMILL ZERO	MINI RANGE	VERTICAL CLAMPING	MAGNETIC	THIRD POINT	RISERS	SPACERS	MODULES AND PINS D49	MODULES AND PINS D90	PLATES AND BUSHES
--------	---------------	------------	-------------------	----------	-------------	--------	---------	----------------------	----------------------	-------------------



**SPACER Ø40 HIGH PRECISION
REDUCTION Ø90 - 40 HIGH PRECISION
SPACER Ø90 HIGH PRECISION**
HARDENED - GROUND

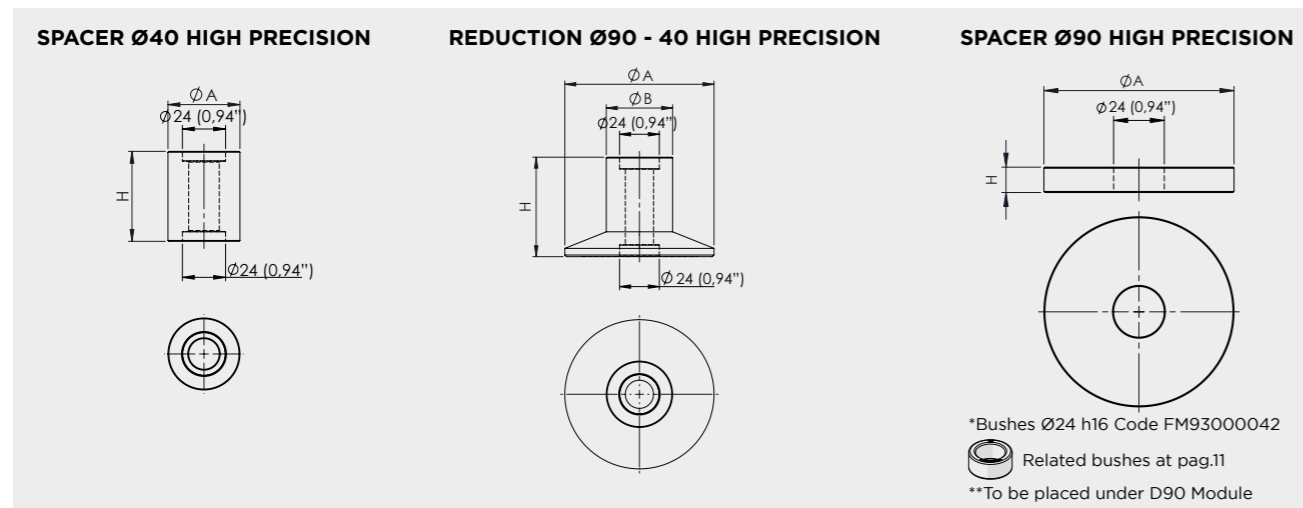
Spacer range allows the customer to customize the Z height of the workpiece allowing distance from the table. Furthermore, thanks to the counterbore and the use of FastMill bushings, the alignment of the component with respect to the module is always guaranteed. Various sizes and diameters are available for all needs

CODE	DESCRIPTION	Ø A	Ø B	HEIGHT
FMSPHP0004010	Spacer High Precision	40 (1,57")	-	10 (0,39")
FMSPHP0004015	Spacer High Precision	40 (1,57")	-	15 (0,59")
FMSPHP0004020	Spacer High Precision	40 (1,57")	-	20 (0,78")
FMSPHP0004025	Spacer High Precision	40 (1,57")	-	25 (0,98")
FMSPHP0004030	Spacer High Precision	40 (1,57")	-	30 (1,18")
FMSPHP0004040	Spacer High Precision	40 (1,57")	-	40 (1,57")
FMSPHP0004050	Spacer High Precision	40 (1,57")	-	50 (1,96")

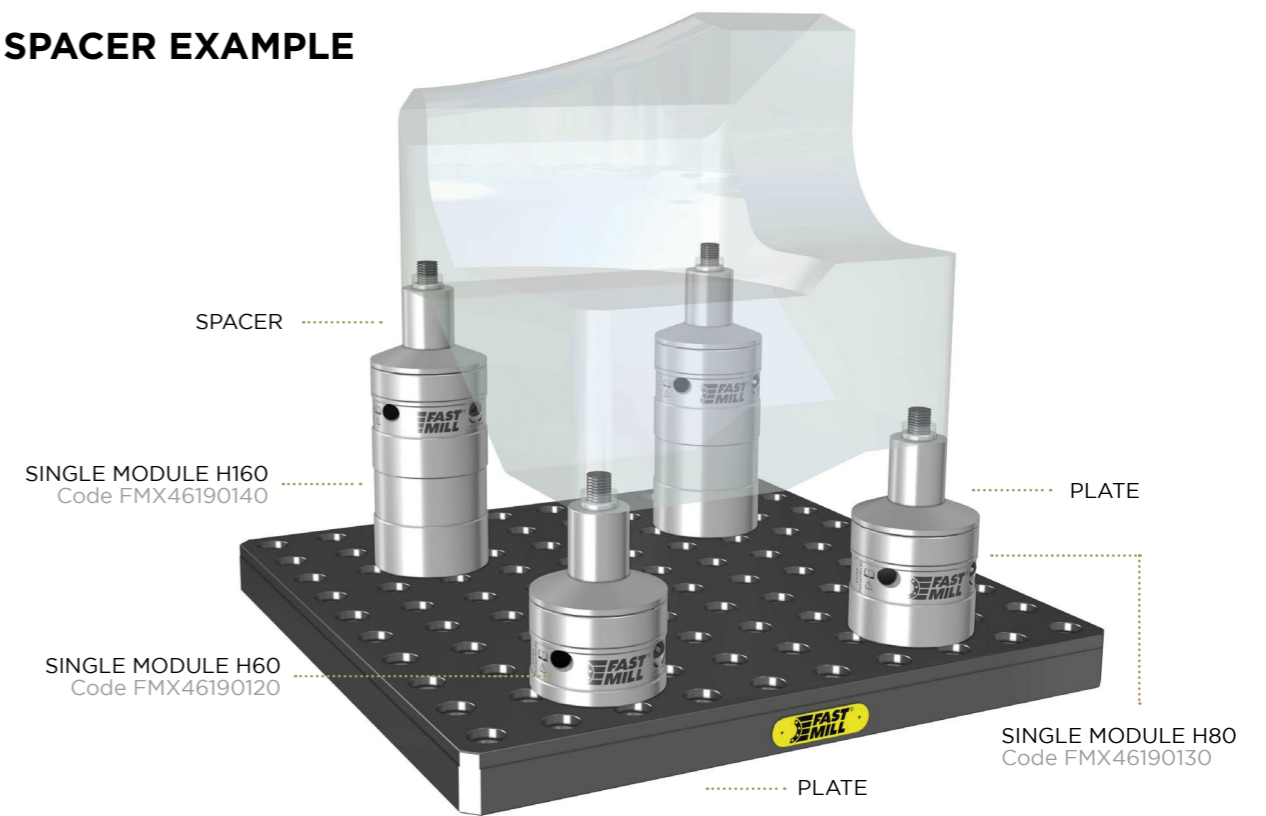
CODE	DESCRIPTION	Ø A	Ø B	HEIGHT
FM46191801	Reduction High Precision	90 (3,54")	40 (1,57")	10 (0,39")
FM46191802	Reduction High Precision	90 (3,54")	40 (1,57")	20 (0,78")
FM46191803	Reduction High Precision	90 (3,54")	40 (1,57")	30 (1,18")
FM46191804	Reduction High Precision	90 (3,54")	40 (1,57")	40 (1,57")
FM46191805	Reduction High Precision	90 (3,54")	40 (1,57")	50 (1,96")
FM46191806	Reduction High Precision	90 (3,54")	40 (1,57")	60 (2,36")

CODE	DESCRIPTION	Ø A	Ø B	HEIGHT
FMSPHP0009005*	Spacer High Precision	90 (3,54")	-	5 (0,19")**
FMSPHP0009010	Spacer High Precision	90 (3,54")	-	10 (0,39")
FMSPHP0009020	Spacer High Precision	90 (3,54")	-	20 (0,78")
FMSPHP0009030	Spacer High Precision	90 (3,54")	-	30 (1,18")
FMSPHP0009040	Spacer High Precision	90 (3,54")	-	40 (1,57")

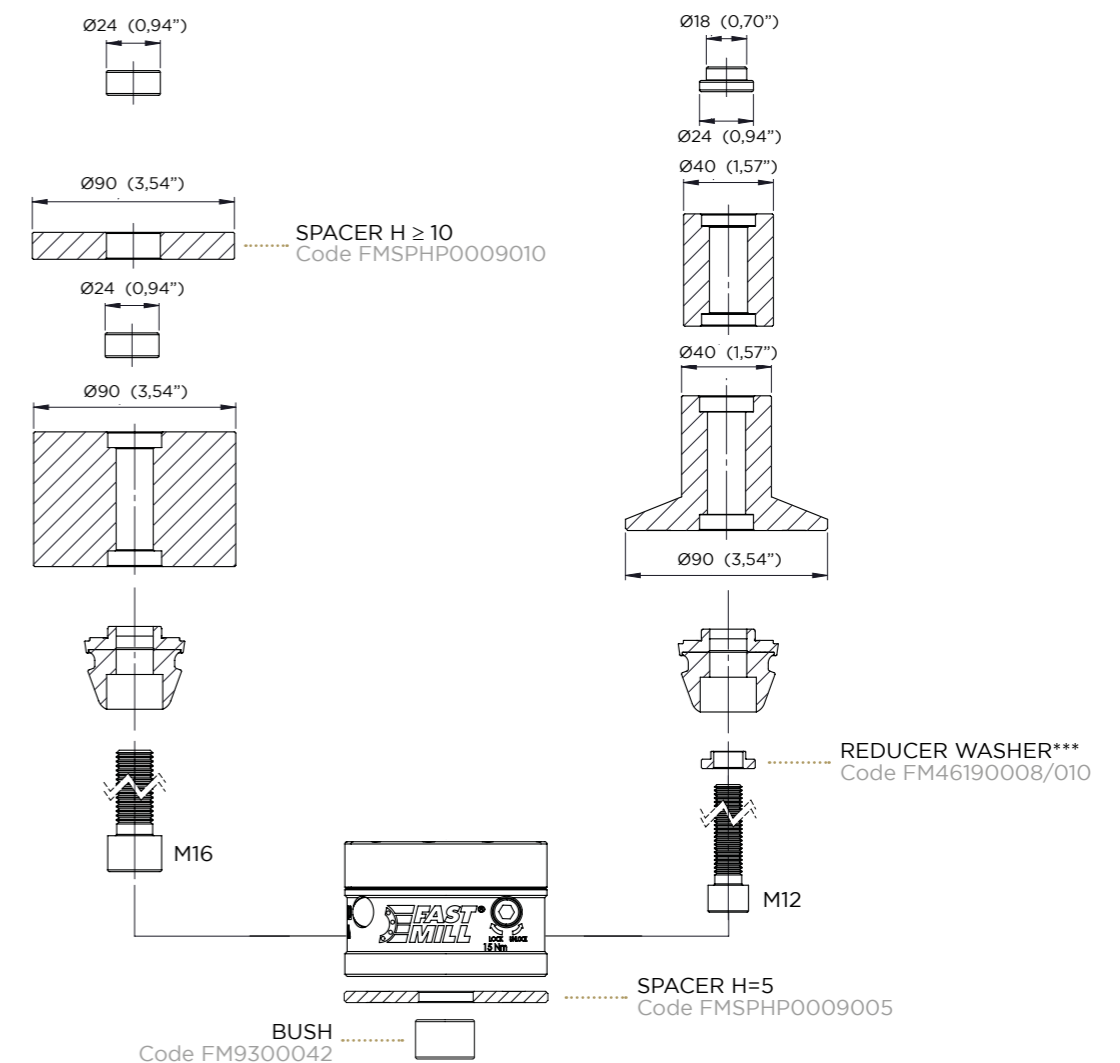
CODE	DESCRIPTION	Ø	M
FM46190008 (** at pag.58)	Reducer washer for pin	M12	M6
FM46190010 (** at pag.58)	Reducer washer for pin	M12	M8



SPACER EXAMPLE



SPACERS ASSEMBLY EXAMPLE



PLATES AND BUSHES
MODULES AND PINS D90
MODULES AND PINS D49
SPACERS
RISERS
THIRD POINT
MAGNETIC
VERTICAL CLAMPING
MINI RANGE
FASTMILL ZERO
CLAMPS

PLATES AND BUSHES
MODULES AND PINS D90
MODULES AND PINS D49
SPACERS
RISERS
THIRD POINT
MAGNETIC
VERTICAL CLAMPING
MINI RANGE
FASTMILL ZERO
CLAMPS